



Model UT/G-8PW/SA 8 Ft. Wheelchair Accessible Heavy Duty Portable Rectangular Table with hot dip galvanized frames and Brown recycled plastic top and seats.
Table provides side access for one wheelchair.

- **ADA compliant access for one wheelchair**
- **Nontip, nontrip, walk-through design**
- **All welded end frames are fabricated from 1.660" diameter steel pipe**
- **Die-formed center channel and diagonal braces align and strengthen entire table**
- **Frames are hot dip galvanized after fabrication for superior corrosion resistance**
- **100% Recycled Plastic Seat and Top Planks with solid color and U.V. stabilizer for ultraviolet protection**
- **Steel channel reinforcements under seats and table top**
- **Limited lifetime warranty on frames**

AVAILABLE OPTIONS

6' or 8' length

Powder Coat Finish in choice of colors for steel frame components

Choice of colors of Recycled Plastic

SPECIFICATIONS:

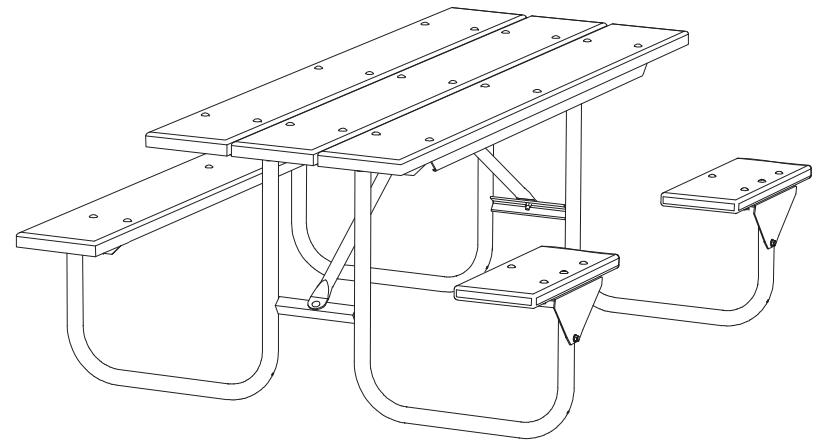
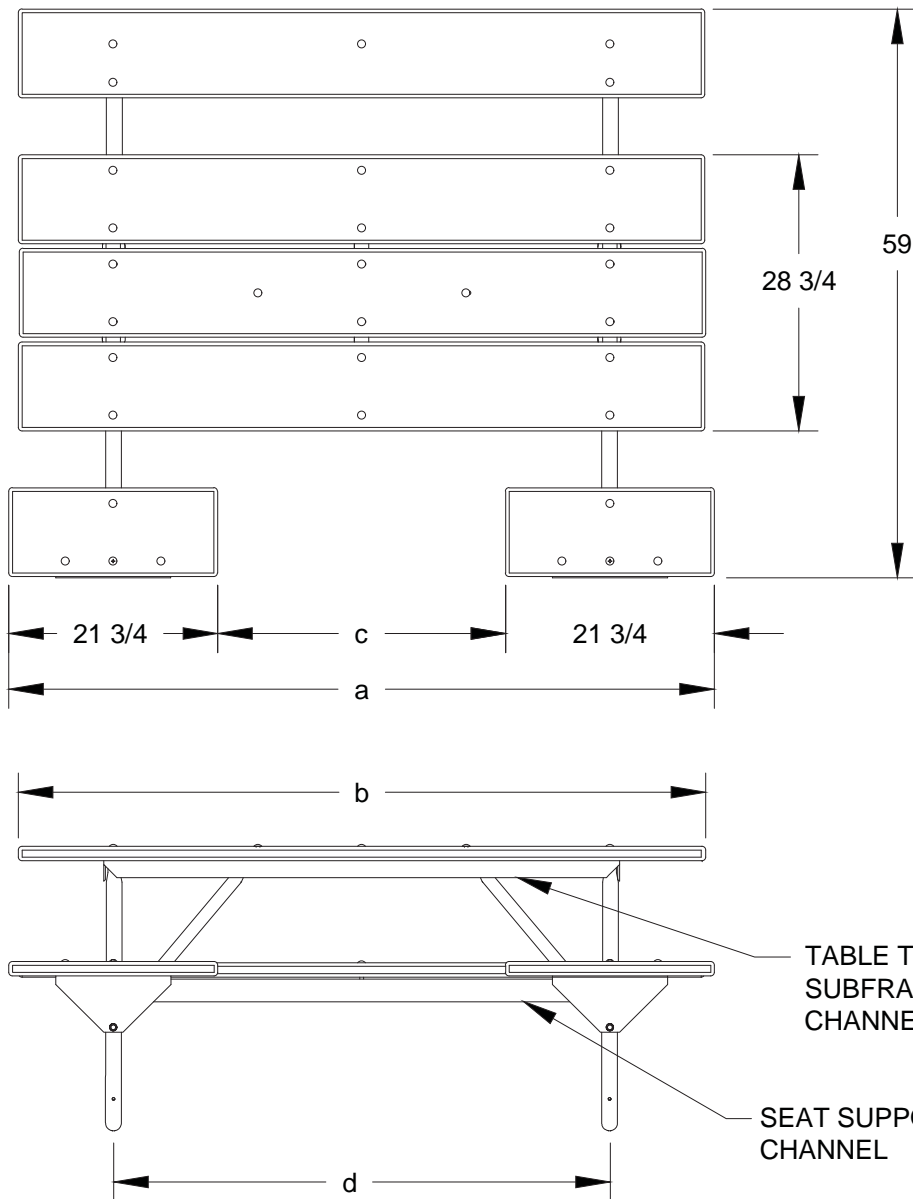
- **UT Series** end frames are one-piece welded construction, fabricated from 1.660" O.D. x (10 ga.) wall steel pipe to meet 1-1/4" nominal pipe size specifications with 2" x 2" x 1/8" die formed steel angle for attaching the seats and top. Bends are tightly formed to prevent tipping when weight is on one side.
- Table frame design incorporates nontip, nontrip, walk-through design features.
- Table provides one wheelchair space created by attaching two 21-3/4" long seats to end frames on one side. Short seats are supported by a 11 ga. steel plate bracket. Gap between seats creates an ADA recommended space of 30" wide, 19" deep, and 27" from ground to bottom of table top for knee space, and minimum 9" above ground extending a total of 24" deep for toe space. Indicated by "/SA" at end of model no., e.g. UT/G-6PC/SA.
- **Model UT/G-6/SA** has a nominal 6 ft. long with two 21-3/4" long seats on one side, one 71-1/2" seat on opposite side.
- **Model UT/G-8/SA** has a nominal 8 ft. long with two 21-3/4" long seats on one side, one 95-1/2" seat on opposite side.
- Nominal table height, 30". Nominal seat height, 18".
- Frames are supported by diagonal braces of 1-5/16" O.D. x 14 ga. wall steel pipe. A die-formed steel center channel is designed to provide support and align the table top planks.
- **Standard:** All steel frame components are hot-dip galvanized after fabrication to ASTM-A123 to maintain an average zinc coating of 2.0 oz. per sq. ft. of surface area (indicated by "/G" in model no., e.g. UT/G-6PC/SA).
- All fasteners are provided for assembly.
- **Standard:** Top and seats are made of 100% Recycled Plastic molded into 2" x 10" nominal sized planks with solid cedar color (indicated by "PC" in model no., e.g. UT/G-6PC/SA) formed throughout and a U.V. stabilizer added for ultra-violet protection.
- Recycled Plastic table top and seat planks are supported by pregalvanized steel subframe channels.
- **Optional:** Color choices of powder coated steel frame components. See Specification Bulletin #SPC-CO-001.
- **Optional:** Color choices of Recycled Plastic components. See Specification Bulletin #SPC-CO-001.

RJ Thomas Mfg. Co., Inc.

PO Box 946 • Cherokee, IA 51012-0946 • PH: 712-225-5115 • 800-762-5002 • FAX: 712-225-5796

E-mail: pilotrock@rjthomas.com • Web Site: <http://www.pilotrock.com>

© 2018 RJ Thomas Mfg. Co., Inc. PILOT ROCK® Park Products is a registered trademark of RJ Thomas Mfg. Co., Inc.



MODEL NUMBER	DIMENSION			
	a	b	c	d
UT-6/SA	73-1/2	71-1/2	30	51-3/4
UT-8/SA	91-3/4	95-1/2	48-1/4	70

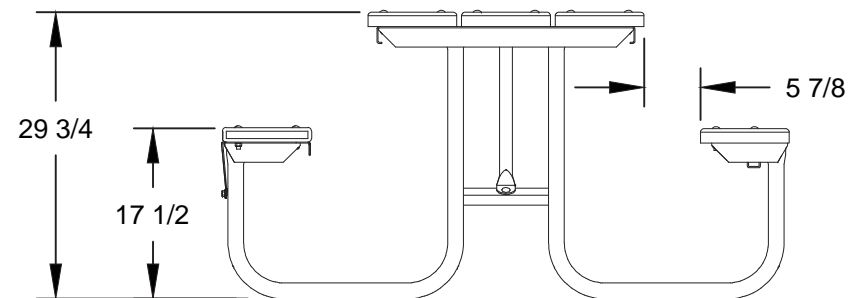


TABLE TOP
SUBFRAME
CHANNEL

SEAT SUPPORT
CHANNEL

ALL DIMENSIONS IN INCHES

RJThomas Mfg. Co., Inc.
P.O. Box 946 • Cherokee, IA 51012-0946

DRAWN BY
JGJ

TITLE UT SERIES HEAVY DUTY 6 AND 8 FOOT SIDE ACCESS PORTABLE RECTANGULAR
TABLE WITH RECYCLED PLASTIC TOP AND SEATS

DATE 03-20-18

DWG. NO. AI-2097